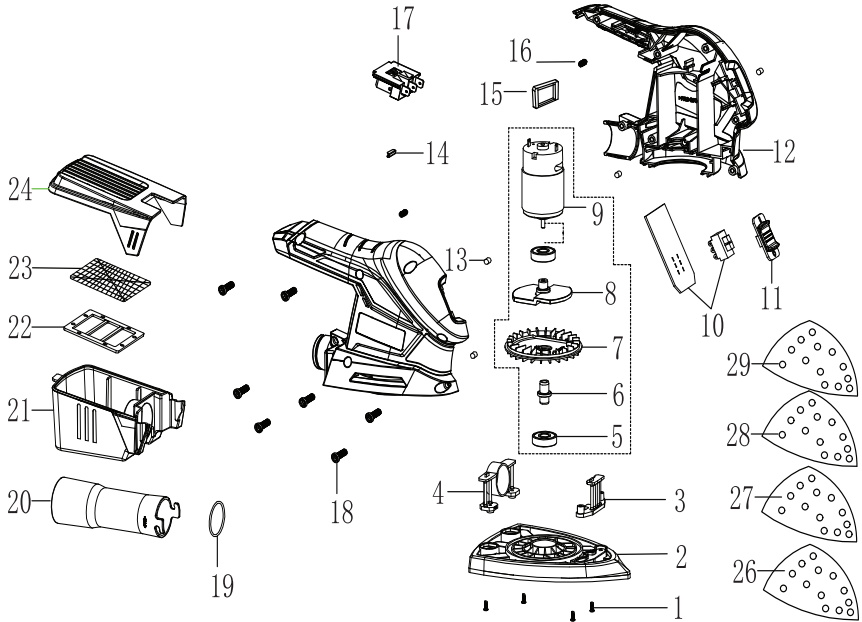


Exploded view and spare parts of RDP-SMSA20



1	Tapping screw	4
2	Adhering sand disc	1
3	Leo737-1 front support foot	1
4	Leo737-1 rear support foot	1
5	608-22 high speed bearings	2
6	Spindle	1
7	The blades	1
8	The balance parts	1
9	The motor	1
10	Circuit board	1
11	button	1
12	Chassis bottom cover	1
13	Shockproof column	4
14	spacer	1
15	magnetic ring	1
16	Support spring	1
17	stents	1
18	Tapping screw (coarse tooth)	7
19	o-rings	1
20	Vacuuming pipe joint	1
21	Dust collection box	1
22	Pressure plate	1
23	Filter cotton	1
24	Vacuuming the lid	1
26	sandpaper (P60)	1
27	sandpaper (P80)	1
28	sandpaper (P120)	1
29	sandpaper (P180)	1